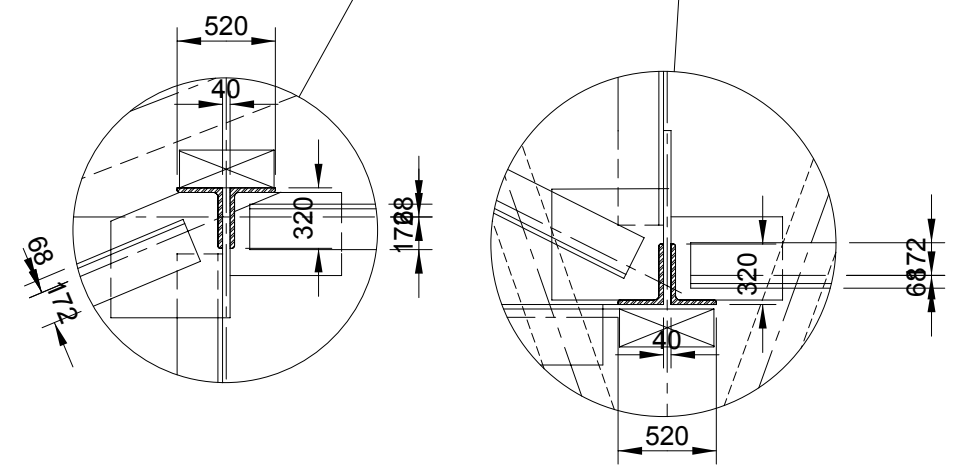


TYPICAL SECTION SHOWING VERTICAL BRACING FRAME



NOTE - ALL DIMENSIONS ARE TO BE CHECKED IN SITE FOR VERIFICATION OR AMENDMENT AS REQUIRED IN ORDER FOR THE FRAMES TO BE POSITIONED TO ACHIEVE THE SPECIFIED TOP PLATE SETTING OUT.

Steelwork to be fabricated to site measurements

Date	Details	Initials

TCL Consulting Limited Established 1988
 Consulting Structural and Civil Engineers
 33, St. Cuthbert Street
 WELLS
 Somerset
 BA5 2AW
 Tel: - 01749 678148
 Fax: - 01749 678216
 e-mail: mail@tcl-consulting.co.uk
 www.tcl-consulting.co.uk

PROJECT

Drawing Title
 New Roof to Snooker Hall
 Steelwork Details

Scale	Date	Drawn By	Checked By
1:50, 1:25, 1:12.5, 1:6.25	Feb2005	TRC/CAD	

Client

Project No.	Drawing No.	Revision

This drawing and the building works shown are the copyright of TCL Consulting Limited and may not be reproduced in part or in whole or amended except by written permission. No liability will be accepted for amendments made by other persons.