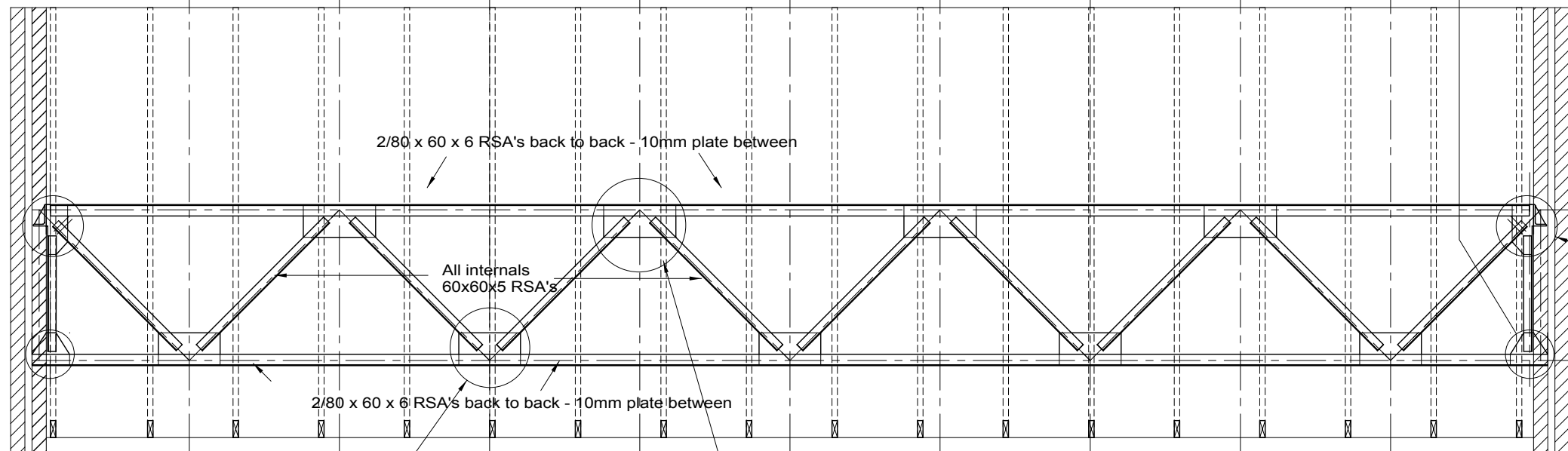
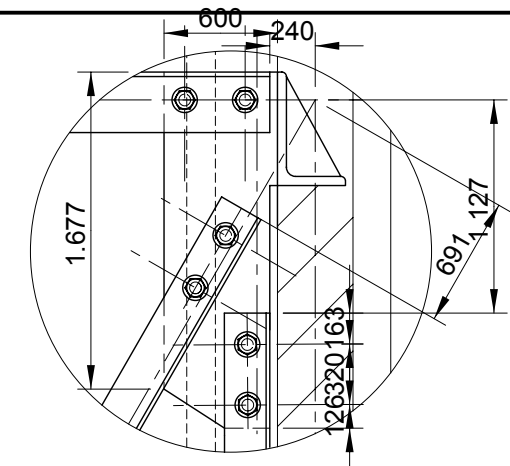
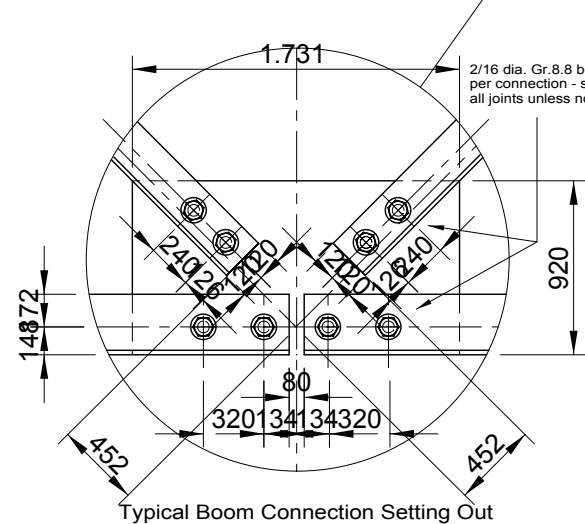
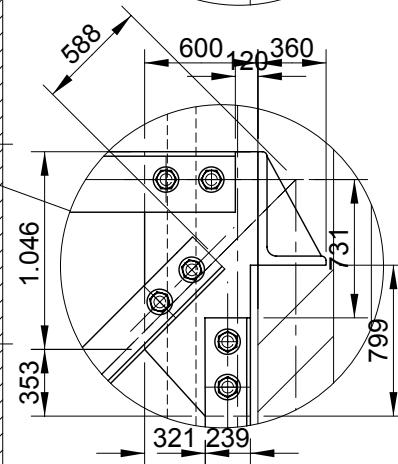
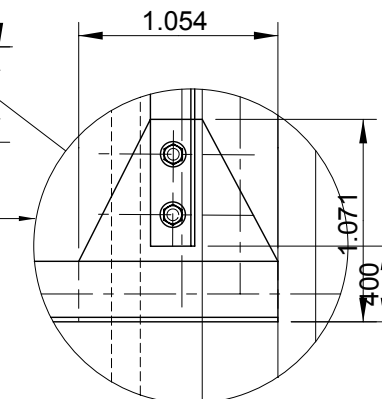


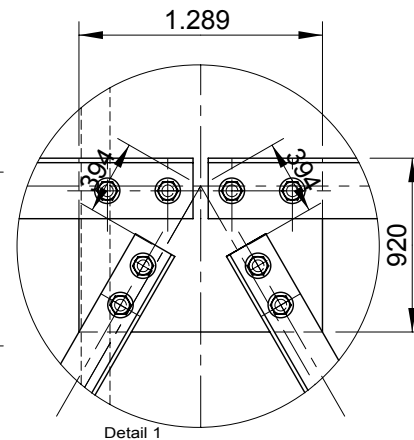
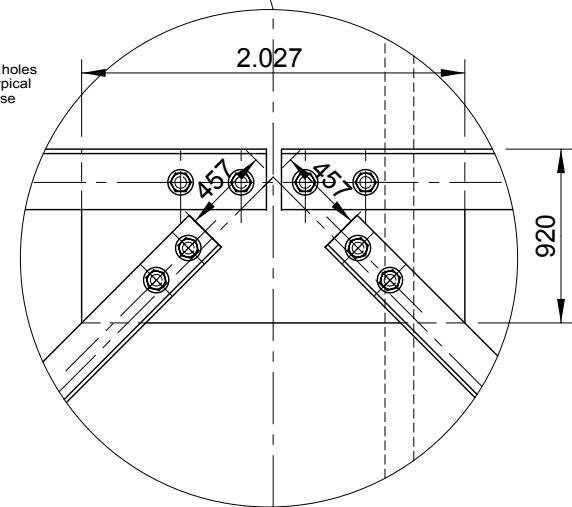
TRUSS TYPE 2



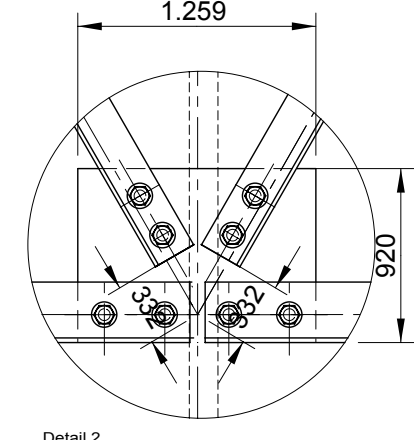
TRUSS TYPE 1



Typical Boom Connection Setting Out



Detail 1



Detail 2

NOTE - ALL DIMENSIONS ARE TO BE CHECKED ON SITE FOR VERIFICATION OR AMENDMENT AS REQUIRED IN ORDER FOR THE FRAMES TO BE POSITIONED TO ACHIEVE THE SPECIFIED TOP PLATE SETTING OUT.

Steelwork to be fabricated to site measurements

- NOTES
1. This drawing is to be read in conjunction with all relevant architectural drawings and specialist drawings.
 2. New timber to be supplied in stress grade C24.
 3. All dimensions marked thus "" are dependent upon site dimensions and are to be verified on site prior to the manufacture of components.
 4. Concrete in foundations to be Grade C25.
 5. Foundation founding stratum to be approved by the Building Inspector.
 6. New blockwork to be 3.5N / 1:1:6 mortar

This drawing and the building works shown are the copyright of TCL Consulting Limited and may not be reproduced in part or in whole or amended except by written permission. No liability will be accepted for amendments made by other persons.

Date	Details	Initials
<p>TCL Consulting Limited Established 1988 Consulting Structural and Civil Engineers 33, St. Cuthbert Street WELLS Somerset BA5 2AW Tel: - 01749 678148 Fax: - 01749 678216 e-mail: mail@tcl-consulting.co.uk www.tcl-consulting.co.uk</p>		
PROJECT		
Drawing Title		
New Roof to Snooker Hall Steelwork Details		
Scale	Date	Drawn By
1:50, 1:25, 1:12.5, 1:6.25	Feb2005	TRC/CAD
Client	Checked By	
Project No.	Drawing No.	Revision